

**OCS – ORDNANCE CLEANING SYSTEM  
Caliber 25 Complete Kit**

**OCS-KIT-025**

**USE AND MAINTENANCE MANUAL**

**Ordnance Cleaning Systems, LLC**

7895 Division Drive

Mentor, OH 44060

Tel: (440) 205-0677

Fax: (440) 205-0678

[ocs@ordclean.com](mailto:ocs@ordclean.com)

[www.ordclean.com](http://www.ordclean.com)

# Table of Contents

1 INTRODUCTION .....	3
1.1 Basic Description of the System .....	3
1.2 Technical Features .....	3
1.3 System Overview.....	3
2 OPERATION .....	4
2.1 Assembly .....	4
2.2 Operating the System .....	6
2.3 Oiling the Barrel .....	7
2.4 Finish Cleaning with the Sleeve .....	8
2.5 Chamber Brush Cleaning .....	8
3 COMPLETE CYLINDER ASSEMBLY/DISASSEMBLY .....	9
4 COMPLETE OILER ASSEMBLY/DISASSEMBLY .....	9
5 FOAMING THE BARREL – DECOPPERING .....	10
5.1 Filling the Foam Dispenser .....	10
5.2 Operating the Foam Dispenser .....	10
5.3 Maintaining the Foam Dispenser .....	11
6 TOOL KIT .....	13
7 TROUBLESHOOTING .....	13
7.1 Air Leaks .....	14
7.2 Hose Connection .....	14
7.3 Control Box Assembly .....	14
7.4 Cylinder Assembly .....	14
7.5 Oil Dispenser .....	15
7.6 Cylinder Assembly Does Not Move Through the Bore .....	15
7.7 Cylinder Assembly Does Not Clean Chamber Properly .....	15
7.8 Foam Dispenser Does Not Produce Foam .....	15
8 STORAGE .....	15
9 ACRONYMS .....	16

## 1. INTRODUCTION

The following manual is a document that accompanies this system throughout its lifetime. It is, therefore, an integral part of the system. Carefully read the following instructions and procedures before engaging in any activity with this system. The following maintenance and instruction manual is an integral part of the system and must always be available to the personnel in charge of using and maintaining it. The operator and the personnel in charge of handling this system must have knowledge of the contents of the manual.

### 1.1 Basic description of system

The machine described in this manual is an Ordnance Cleaning System (OCS) which can be used for cleaning and oiling the bore of a 25mm weapon system.

#### **SYSTEM WARNINGS\***

**-Make sure proper personal protection equipment is used during operation with the machine.**

**-Never start the vibrations before the brush is in the bore. When the cylinder is vibrating in the bore just a loose grip for a few seconds with a hand is allowed. No other contact of the vibrating parts with the human body is allowed.**

**-Use recommended oils and materials to insure system operates properly.**

### 1.2 Technical Features

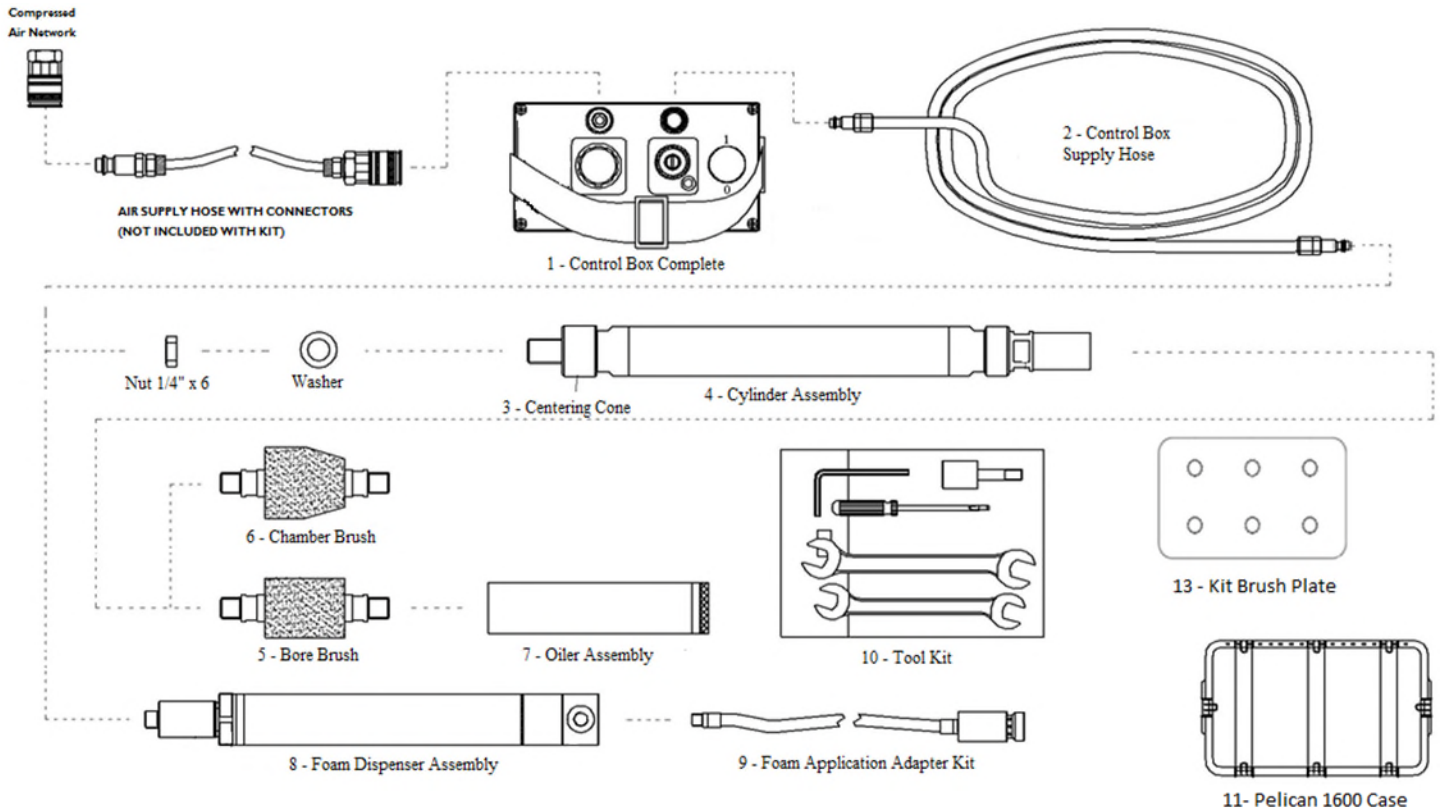
Weight	45 lbs
Max. air supply pressure	145 psi
Air consumption	approximately 8 CFM at 90psi
Air inlet coupling	¼"
Vibrations	1500 – 2500 vibs/min (depends on air pressure & brush stiffness)

### 1.3 System Overview

The machine consists of 13 major components.

1. OCS-CBA-001 - Control Box (Complete)
2. OCS-CBSH-001 - Control Box Supply Hose
3. OCS-CCK-025 – 25mm Centering Cone
4. OCS-CYL-025-035 - Cylinder Assembly
5. OCS-BBRA-025 (Bore Brush Abrasive); OCS-BBRN-025 (Bore Brush Nylon); OCS-BBRB-025 (Bore Brush Bronze)
6. OCS-CBRA-025 (Chamber Brush Abrasive); OCS-CBRN-025 (Chamber Brush Nylon); OCS-CBRB-025 (Chamber Brush Bronze)
7. OCS-OIL-030 – Oil Dispenser Assy
8. OCS-FDA-040 – Foam Dispenser Assembly
9. OCS-FAAK-025 – Foam Application Adapter Kit
10. OCS-TKA-001 – Tool Kit Assembly
11. OCS-CAS-001 - Pelican 1600 Case
12. OCS-LIN-020-030 – Linen Cloth (Not shown in diagram) x25
13. OCS-KBP-001 – Kit Brush Plate

## OCS-KIT-025 25MM Complete Kit



## 2. OPERATION

If not stated otherwise the following instructions refer to parts or subassemblies described in Fig. 1. Proper assembly and disassembly contributes to system effectiveness and longevity of the system as well as unit readiness. This section discusses exactly how the system should be removed, used, and repacked.

### WARNING

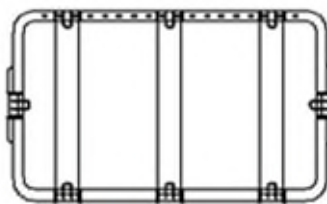
**Make sure proper personal protection equipment is used during operation with the machine.**

**-Never start the vibrations before the brush is in the bore. When the cylinder is vibrating in the bore just a loose grip for a few seconds with a hand is allowed. No other contact of the vibrating parts with human body is allowed.**

**-Use recommended oils and materials to insure system operates properly.**

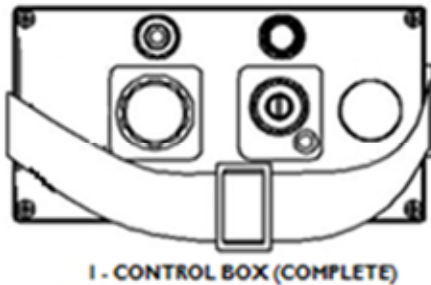
### 2.1 Assembly

- a. Open the Pelican 1600 Case.

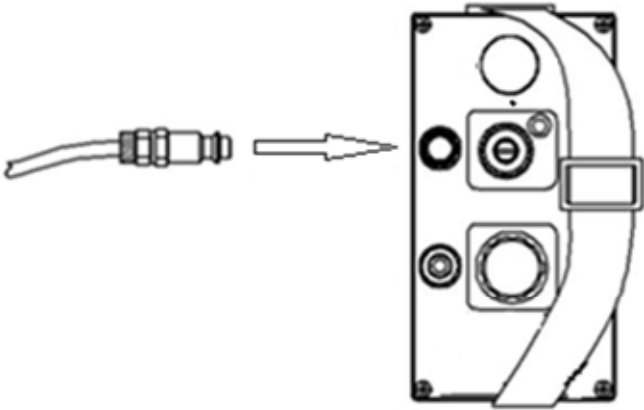


11- Pelican 1600 Case

- b. Remove the CBA from the case first and set it next to the weapon or hang it over the barrel of the weapon. (Barrel of weapon should be parallel to the ground +/- 5 degrees). Make sure the control box is not turned on. ON/OFF knob should be in DOWN position.

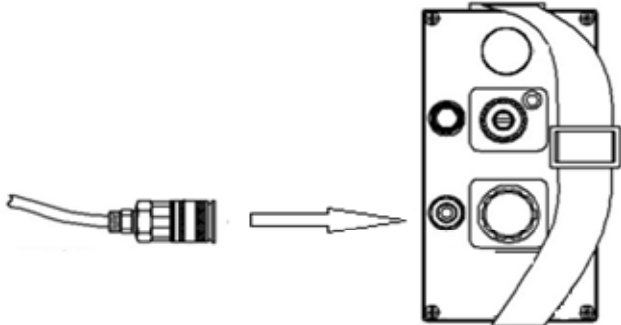


- c. Remove the Control Box Supply Hose from the case. Connect the male quick disconnect hose end to the female quick disconnect coupler on the CBA. Place remaining hose on the ground.



- d. Remove the Cylinder Assembly from the case and apply the Bronze Bore Brush by attaching it to the end of the brush Adapter that is already preassembled to the cylinder.
- e. Attach the other end of the Control Box Supply Hose to the end of the Cylinder Assembly.
- f. Make sure all parts are tightly fastened to each other.
- g. Finally you will attach your air supply to the male quick disconnect on the control box.

**NOTE: We recommend a Speedaire 3.0 HP, 230VAC, 20 Gal. Portable Electric Barrel Air Compressor**



## 2.2 Operating the System

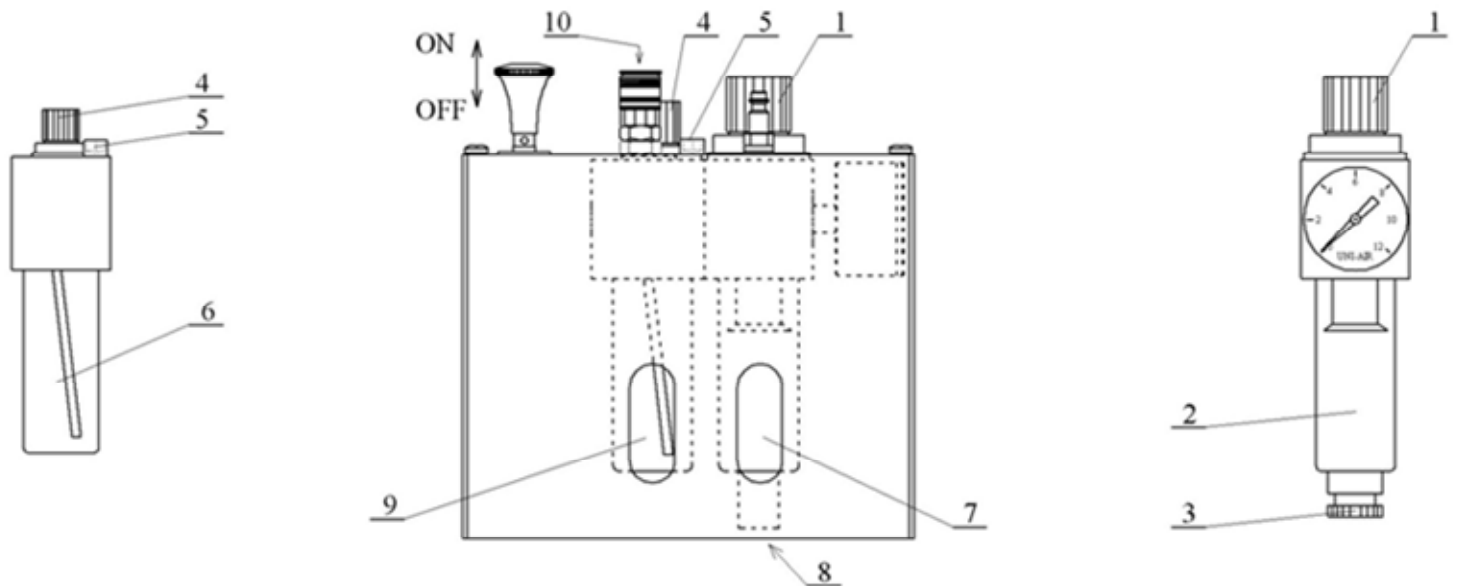


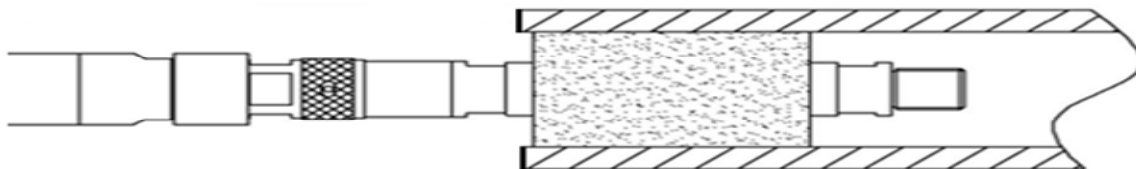
Fig. 1

**NOTE: Control box should always be in vertical position.**

- Check that the air pressure is between 100-120psi for optimum brush performance (Fig. 1-2). Adjust the knob at the top of regulator to add or release air pressure (Fig. 1-1). Always check the condensed water level in the dehumidifier cup (Fig. 1-7). No liquid should be present. Unscrew the knob at bottom to empty if necessary (Fig. 1-3). To do this, you will have to unscrew the 4 screws at the top of the box and open the Control Box Up.
- Check that the oil levels are between the minimum and the maximum level lines on the glass (Fig. 1-9) of the oil regulator (Fig. 1-6). If oil is low, unscrew cap at top (Fig. 1-5) and put in more oil. There is a funnel in the tool kit to assist with this.

**NOTE: We recommend F442 OIL.** The amount of air lubrication oil that is atomized into the air is regulated with the knob on top (Fig. 1-4). Rotating the knob clockwise lowers the amount of lubrication oil and rotating counter-clockwise increases. Recommended amount of oil is  $1\frac{3}{4}$  turns from totally closed. When the CBA is turned on and air is blowing through the CBSH, a drop of oil should be noticed in the chamber of the FRL every 8 to 10 seconds.

- After Control box has been checked. Pick up the Cylinder Assembly and insert it into the muzzle end of the barrel so that the brush is fully inserted.



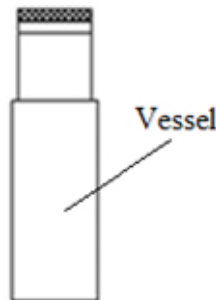
- Pull the knob on the control box upwards to turn system on (Fig 1).  
**NOTE: Do not turn on system before brush is inserted into bore. When the cylinder is vibrating in the bore just a loose grip for a few seconds with a hand is allowed. Prolonged contact with your person may result in injury.**

- e. Let the system run down the barrel of the weapon system, guiding the hose as it moves automatically.
- f. Once it reaches the chamber, you will feel the system stop. Pull quickly on the hose and maintain pressure until it reverses the direction of the system. Again, just guide the hose out as it automatically comes back towards you.
- g. Push down on the ON/OFF knob when the brush returns to the end of the barrel to turn the system off.
- h. Repeat procedure 2.2 [c. - g.] as many times as needed to clean the majority of the debris out of the barrel.

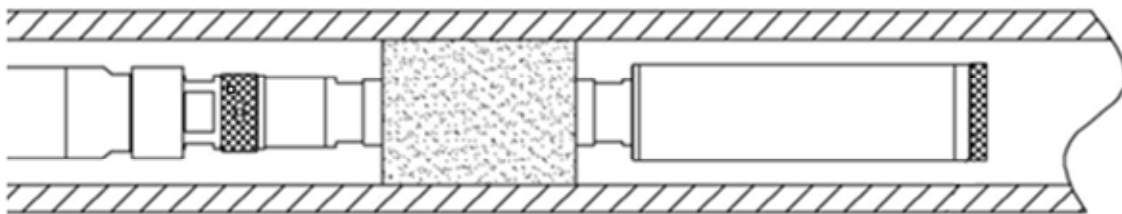
### 2.3 Oiling the Barrel

NOTE: You will want to change to the **Abrasive Nylon Brush** (gray bristles) for this procedure. To do this, Remove the Brush Fastening Screw and follow the procedures used in 2.1[d.]. Replace the stainless brush with the abrasive brush and retighten the brush fastening screw. Oil dispenser is designed only to spray oils. Pouring other liquids into the dispenser could damage the dispenser.

- a. Once you have applied the Abrasive Nylon Brush you will then add the oiler to the cylinder assembly.
- b. Remove the Oiler from the Pelican Case. It will be kept in a vessel for safe keeping and to prevent oil leakage after use. You will have to unscrew it from the vessel.



- c. Screw the Oiler into the end of the Brush Fastening Screw at the end of the cylinder assembly.



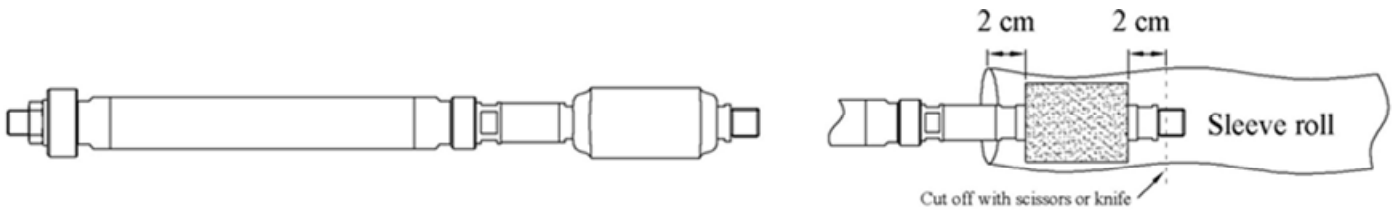
- d. Follow the same steps in 2.2 [c. - g.] with the oiler attached to perform the oiling of the barrel. Oiler sprays the bore surface with oil while the assembly is vibrating through the bore.
- e. Repeat as many times as desired. A couple passes should be sufficient enough but it does depend on how dirty the barrel was.

- f. Once finished, remove the oiler and place it back in the vessel to be put back in the case.

## 2.4 Finish Cleaning With the Sleeve

NOTE: You will want to change to the **Nylon Brush** (black bristles) for this procedure. To do this, Remove the Brush Fastening Screw and follow the procedures used in **2.1[d.]**. Replace the abrasive brush with the nylon brush and retighten the brush fastening screw.

- a. The sleeve is mounted on the brush. Wrap the middle piece around the bore brush starting with the tethered end so that it gets covered up once the remaining cloth comes back around.



- b. Use the smaller tethered pieces at the top and bottom of the brush to create a knot to hold the sleeve onto the bore brush.
- c. There are no special requirements about the sleeves that should be used for barrel cleaning, but the optimum performance is guaranteed only with the original sleeves. Other sleeves might damage the design of the brush ring. The sleeve must be mounted on the brush ring firmly. The sleeve must not be too large. This might jeopardize good movement of the assembly through the bore.
- d. Complete assembly is now ready to be placed inside the bore. Repeat steps in **2.2 [c. - g.]** to perform the cleaning again. The sleeve wipes the bore surface while the assembly is vibrating through the bore.
- e. Repeat as many times as needed.

## 2.5 Chamber Brush Cleaning

- a. When cleaning the chamber you will assemble the system just as you did in **2.1**.
- b. The system will be operated by the control box the same as with the bore brushes.
- c. You will insert the system into the chamber and start the vibrations.

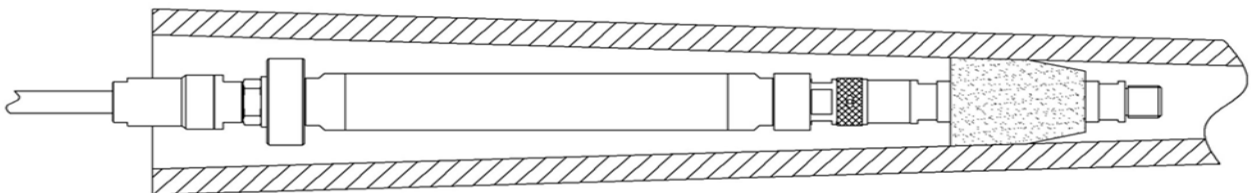


FIG. 10

- d. Slowly move the vibrating assembly inwards and outwards in the chamber in order to clean the chamber.
- e. To oil the chamber you will follow the same steps followed in **2.3 and 2.4**.



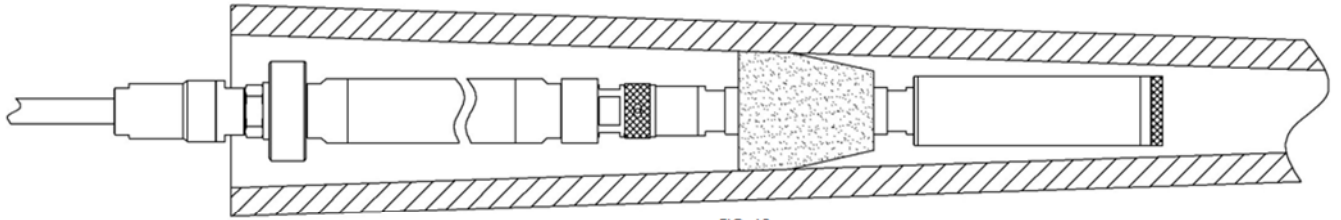


FIG. 12

### 3. Complete Cylinder Assembly/Disassembly

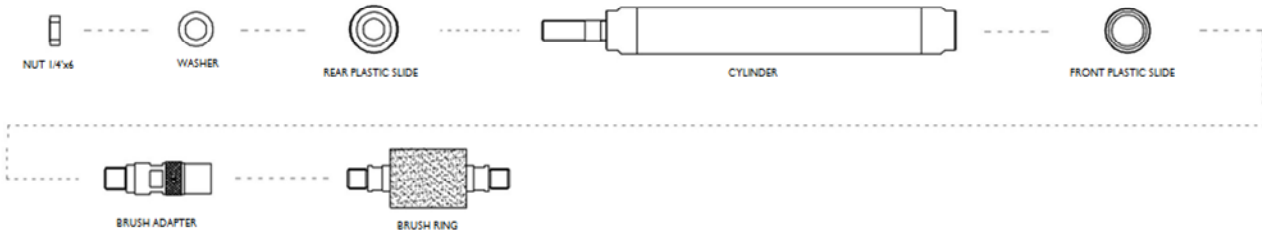


FIG. 4

#### - Rear plastic slide:

Rear plastic slide is replaced using the open ended wrenches provided with the kit. Rear plastic slide is fastened on the Cylinder with washer and nut (Fig. 4).

#### - Brush ring replacement:

Brush ring is replaced using the open ended wrenches provided with the kit. Brush adapter, with Front plastic slide mounted, is not unscrewed from the Cylinder for this action. Brush ring is tightened into the Brush adapter with suitable wrenches (Fig. 4).

### 4. Complete Oiler Assembly/Disassembly

- In case oil is not sprayed out of the Oil dispenser, the dispenser has to be disassembled. In Fig. 9 the Oil dispenser assembly is presented.

- Remove the Oil dispenser closing cap by unscrewing it. Remove the Oil suction tube subassembly. Clean precisely all the parts of this subassembly with compressed air. Make sure that all air and oil paths are opened. The amount of oil that is sprayed out of the dispenser is controlled with the screw found on the Counter weight (Fig. 9 – 1). Rotating the screw clockwise with the screwdriver reduces the amount of oil and rotating counter-clockwise increases the amount of oil. Make sure that the Oil suction tube subassembly is placed back into the container properly. Make sure that the Central tube is oriented properly.

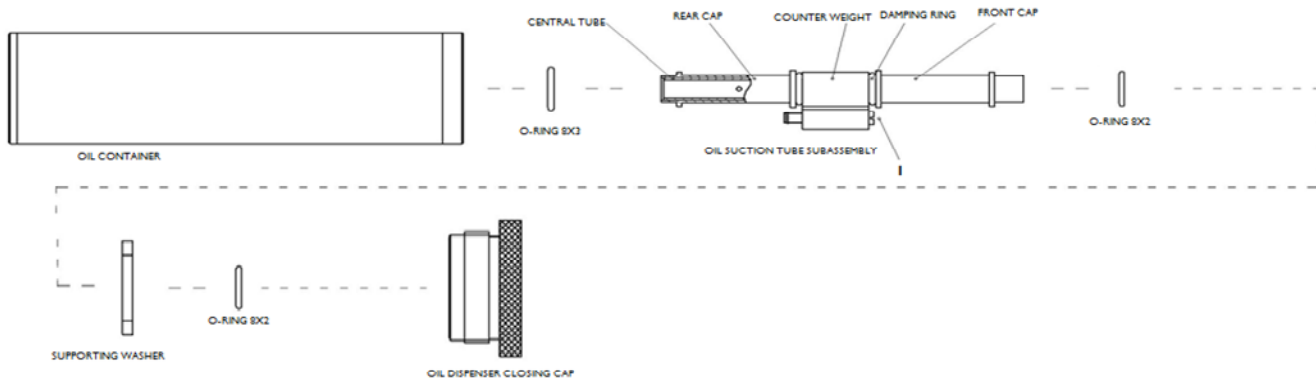


FIG. 9

## 5. Foaming the Barrel – Decoppering

Foam dispenser is pneumatically driven device designed for foaming of internal surfaces of a bore.

### WARNING

**Make sure proper personal protection equipment is used during operation with the machine.**

**-Never start the vibrations before the brush is in the bore. When the cylinder is vibrating in the bore just a loose grip for a few seconds with a hand is allowed. No other contact of the vibrating parts with human body is allowed.**

**-Use recommended oils and materials to insure system operates properly.**

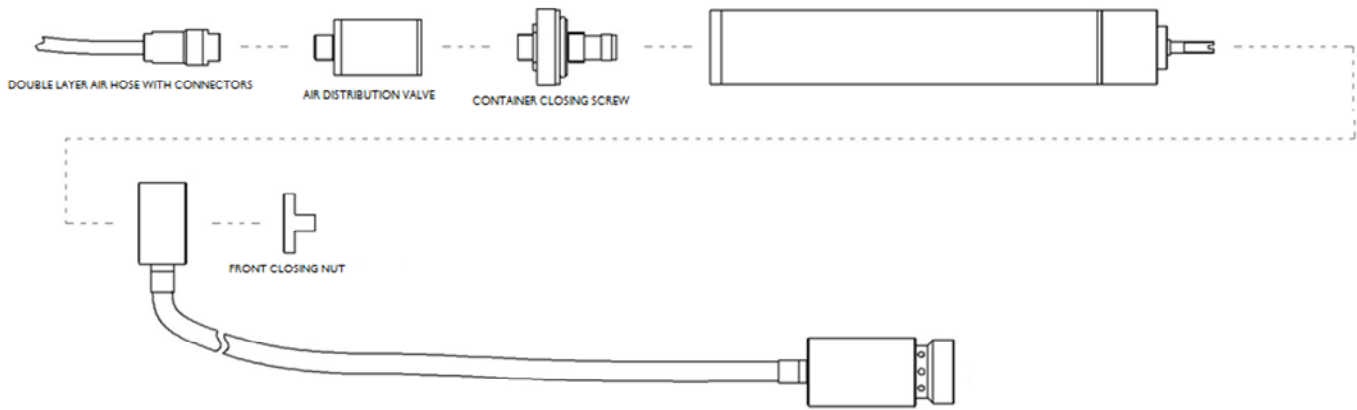


FIG. 13

The Foam Dispenser is a pneumatically driven device designed for foaming of internal surfaces of a bore.

### 5.1 Filling the Foam Dispenser

- To fill the Foam Dispenser, you must first remove the Air Distribution Valve as seen above. This just simply screws off with no tools needed.
- Then you will need to remove the Slide Fastening Unit and Plastic Slide, again no tools should be needed.
- Now you can unscrew the Container Closing Screw. This will only be hand tightened on as well.
- Fill the container with the decoppering liquid and screw the container closing screw back on. The system is now ready to be used.

### 5.2 Operating the Foam Dispenser

- Remove the foam dispenser from the case and then remove it from the vessel.
- Assemble the foam dispenser as presented in the picture above.
- Make sure to fill the container with decoppering liquid by removing the Container Closing Screw.
- Close the container with the Container Closing Screw.
- Push the head of the Foam Application Adapter into the bore as seen below.

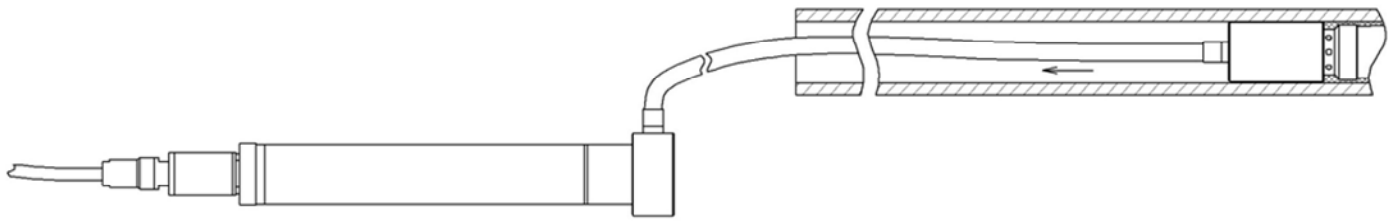


FIG. 14

- f. Be sure to hold the Foam Dispenser in a **horizontal position**.
- g. Optimal foaming pressure is **44 psi** so be sure to adjust the control box before beginning to dispense.
- h. Once ready, turn the control box on and slowly and evenly pull the foam application adapter towards yourself, out of the barrel.

**NOTE:** Thickness of foam layer on the bore walls depends on how fast you pull the assembly out of the bore. Slow movement of the dispenser through the bore means thicker foam layer and faster pull means thinner foam layer.

Once the switch is pushed to OFF position, foam generation is not stopped instantly. The reason for that is there is still going to be a small amount of pressure trapped in the container. In case you want to stop the foam generation immediately, you need to release this pressure from the container by loosening the Container closing cap. This can be done without having to disassemble completely. Grip the two Slide Fastening Screws and turn counter clockwise.

### 5.3 Maintaining the Foam Dispenser

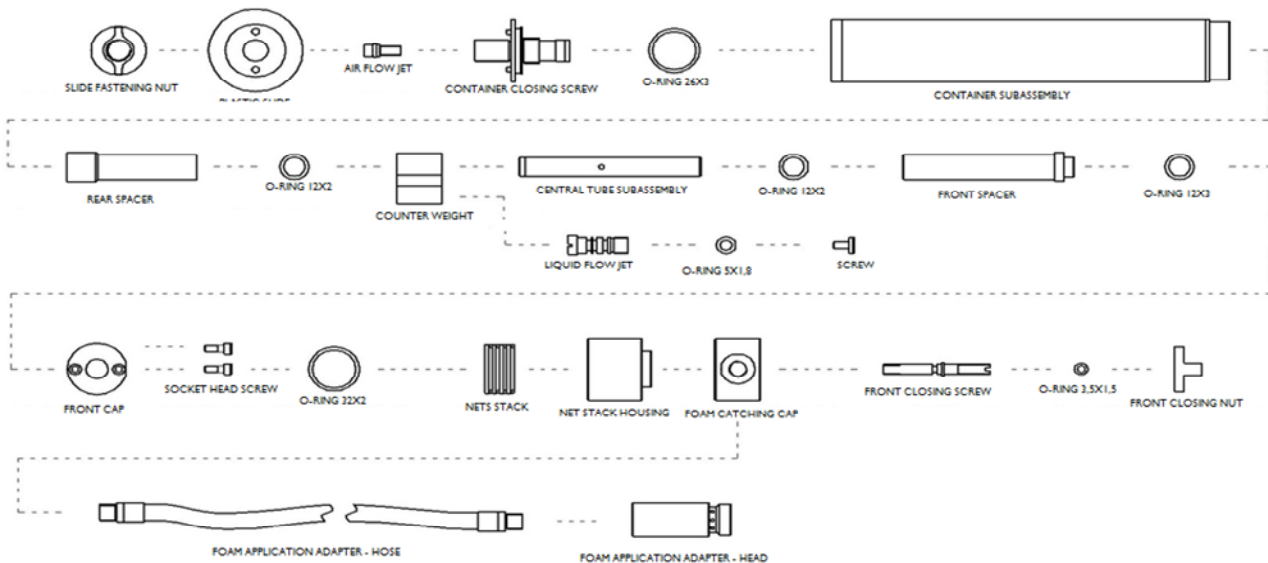


FIG. 15

- a. Foam dispenser can be cleaned with water without any limitations. Dispenser is cleaned using one or two containers of water same way as if foam would be produced. Fill the container with water. Close the container with the Container closing screw. Connect the Double layer air hose to the Air distribution valve. Connect the Air distribution valve to the dispenser. Pull the Control box switch to ON position. Water will clean all openings and air and liquid paths.
- b. In case the dispenser does not produce foam or it is somehow damaged, authorized personnel should disassemble the dispenser as presented in Fig. 15. Clean precisely all the parts and make sure all air and liquid

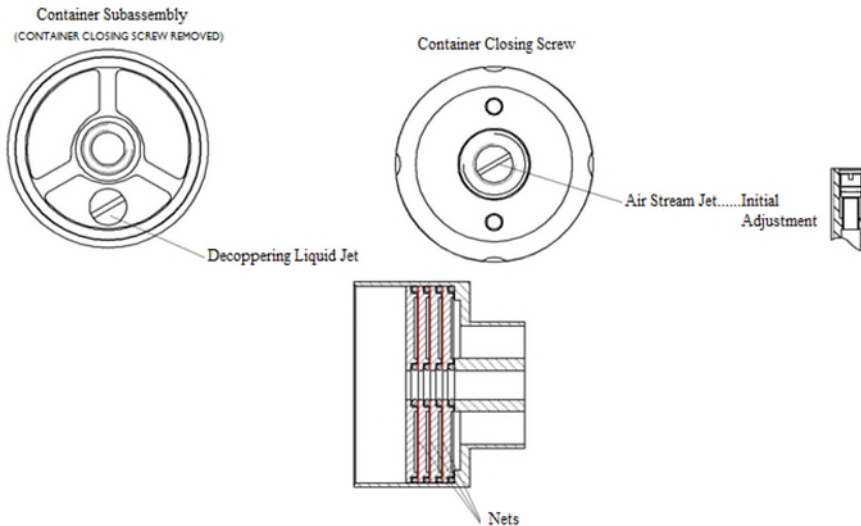
paths are open. Make sure no dirt particles are present on the Foaming nets stack. Check proper orientation of the Foaming nets stack in picture below.

- c. In case the dispenser produces foam but quantity or quality of the foam is not acceptable follow the following instructions.

**Quality or quantity of the foam is adjusted easily with pressure regulator.**

**Optimal operating pressure is in range from 29 to 73 psi. Decreasing the pressure means less, but more firm foam produced. Always check pressure gauge in the Control box.**

**- Dispenser initial adjustments:**



- a. Quality and quantity of the foam that the dispenser produces is adjusted with two jets. After removal of the Container closing screw jets could be adjusted with screwdriver. When making adjustments always tighten back to the close and adjust from the closed position (Fig 16).

- b. **Air stream jet:** Initial adjustment of the Air stream jet is presented in Fig 16. Top surface of the jet should be aligned with the groove. In most cases air stream has to be increased in order to achieve good foam quality. Air stream through the dispenser is increased in case rotating the jet clockwise. Doing so more foam or more firm foam is produced. Air stream through the dispenser is decreased when rotating the jet counter-clockwise. Doing so, less foam is generated.

- c. **De-coppering liquid jet:** Initial adjustment of the De-coppering liquid jet is between a quarter turn and a half turn from totally closed position. First rotate the jet clockwise until the jet is completely closed. Then rotate the jet approximately a half turn (180 degrees) counter-clockwise. Rotating the jet clockwise means less liquid added to the air stream. Less, but more firm foam is produced. Rotating the jet counter-clockwise means more liquid added to the air stream. That means less firm foam, but the quantity is greater.

In order to achieve:

- More firm foam

Increase the air stream through the dispenser (rotate the Air stream jet clockwise 1 to 2 rotations) and decrease liquid added to the air stream (rotate the De-coppering liquid jet clockwise approximately a quarter of a rotation).

- More foam:

Increase liquid added to the air stream (rotate the De-coppering liquid jet counter-clockwise 0.25 of rotation). Increase the air stream through the dispenser (rotate the air stream jet clockwise a few rotations).

In case foam is wet, that means it is not firm enough. Open the Air stream jet generously and close De-coppering liquid jet. Optimal foaming pressure is 44 psi.

## 6. Tool Kit

Integral part of the OCS is also The Tool Kit. Tools in the kit are used for small repairs and OCS everyday use.

- OCS-TKB-001 - Tool kit bag
- 5420A27 - Open end wrench 18/19, Tightening of couplings, brush rings.
- 5420A22 - Open end wrench 16/17, Tightening of couplings, brush rings.
- 4383T1 – Funnel, Air lubrication unit oil refilling.
- 7122A47 – Hex Key 3/16” tighten and untighten screws on control box top
- 6958A14 – Hex Key 4mm, tighten and untighten screw for oiler filter regulator
- 5682A75 – Screwdriver, 3/16” x 7-3/4” Oil dispenser adjustments, Foam dispenser adjustments, air lubrication unit adjustments.

Note: On special request of the customer some other items could be added to the Tool kit.

## 7. TROUBLESHOOTING

### WARNING

**In the case of any problem or malfunction, an unauthorised person should not try to repair or change the machine. Make sure proper personal protection equipment is used during repair in maintenance procedures. If not stated otherwise, power source should be disconnected from the machine during troubleshooting, repair and maintenance procedures. In case operator has any doubts regarding proper function of the machine or its components authorised person should be informed about the problem.**

In case the system is not working properly please follow the following instructions. For more detailed instructions please read carefully complete Use and Maintenance Manual. **The operator of the described equipment should be familiar with the complete content of this Use and Maintenance Manual.**

### WARNING

**Never start the vibrations before the brush is in the bore. When the cylinder is vibrating in the bore just a loose grip for a few seconds with a hand is allowed. No other contact of the vibrating parts with the human body is allowed.**

### 7.1 Air leaks

When audible air leaks are heard follow the following steps:

- Push the switch on the Control box to OFF position.
- Connect the Air supply hose to the Control box.
- Pull the switch on the Control box to ON position.
- Detect air leak. Inform an authorized person about the problem.

### 7.2 Hose connection

- Air supply hose with connectors – (not included with kit)
- CBSH with connectors – OCS-CBSH-001

When connection of air hoses with quick couplings are impossible or air leaks are noticed follow the following steps:

- Pull the sleeve of the coupling.
- Connect the coupling.
- Detect the damage on the coupling or coupling plug. Inform an authorized person about the problem.

### **7.3 Control Box Assembly – OCS-CBA-001**

#### **Pressure gauge**

Optimal regulated pressure for cleaning procedure is 100-120 psi. In case you have difficulties adjusting the pressure follow the following steps:

- Make sure you connect pressurized air.
- Adjust pressure to 120 psi.
- In case rotating the pressure regulating knob results in no response on the pressure gauge inform an authorised person about the problem.

#### **Air lubrication**

In case you notice problem with air lubrication follow the following steps:

- Try to adjust the amount of oil added to air stream on air lubrication unit.
- In case adjustment of the air lubrication unit results in no air lubrication inform an authorized person about the problem.

#### **Air leak**

In case you notice air leak in the Control box follow the following steps:

- Try to detect the air leak.
- In case the air leak is caused due to loosening of some connection, repair the connection.
- In case part from the Control box assembly has been damaged inform an authorized person about the problem.

### **7.4 Cylinder Assembly – OCS-CYL-025-035**

In case cylinder assembly does not produce sufficient or no vibrations follow the following steps:

- Connect pressurized air to the Control box using the Air supply hose.
- Check pressure gauge on the Control box. Optimal pressure is 100-120 psi.
- Connect the CBSH to the CBA.
- Pull the switch on the Control box to ON position. Strong air blast should be heard and felt. In case there is no air blast noticed from the CBSH, refer to section **6.2 and 6.3 Troubleshooting - topics about Control box and Hoses.**
- Push the switch on the CBA to OFF position.
- Apply fast jerky move on the cylinder (Fig. 19). Piston movement inside the cylinder should be felt and heard. If the piston does not move inside the cylinder inform an authorized person about the problem.
- Connect the CBSH to the cylinder assembly.
- Pull the switch on the Control box to ON position. In case only air is blown through the cylinder and no vibrations are produced inform an authorised person about the problem.

### **7.5 Oil Dispenser**

In case oil is not sprayed out of the Oil dispenser follow the following steps:

- Adjust the jet that controls the amount of oil sprayed out of the dispenser.
- Disassemble the Oil dispenser and clean precisely all the parts.
- In case some part is damaged inform an authorised person about the problem.

### **7.6 Cylinder assembly does not move through the bore**

In case cylinder assembly is not moving through the bore follow the following steps:

- Make sure the cylinder produces vibrations. In case the cylinder produces no vibrations refer to section **6.4 Troubleshooting - topics about Cylinder assembly**.
- In case the cylinder produces vibrations, but assembly is not moving through the bore replace not suitable brush ring.
- Check the brushes themselves to make sure they are not too worn out.

#### **7.7 Cylinder assembly does not clean the chamber properly**

In case cylinder assembly is not cleaning the chamber properly follow the following steps:

- Make sure the cylinder produces vibrations. In case the cylinder produces no vibrations refer to section **6.4 Troubleshooting - topics about Cylinder assembly**
- In case the cylinder produces vibrations, but assembly does not clean the chamber properly, replace non suitable chamber brush ring.
- Check for correct brush size and check if brush is too worn out.

#### **7.8 Foam dispenser does not produce foam**

In case Foam dispenser does not produce foam follow the following steps:

- Check air supply to the dispenser.
- Disassemble the Foam dispenser and clean precisely all the parts.
- Check adjustment of air and liquid jets.
- In case some part is damaged inform an authorized person about the problem.

### **8. Storage**

- Clean precisely all parts of the machine with damp sleeve after each use. Use not aggressive cleaning agent. Aggressive bore cleaning agent could damage painted surfaces of the machine in case not removed.
- When transporting and storing the machine make sure the surrounding temperature remains included between -31°F and +149°F.
- If the need arises to store the machine for longer period of time, make sure the humidity values in the storage area remain included between 30 and 80%.
- No special actions are required for placing the equipment into storage.
- No special actions are required for removing the equipment from storage. Functional test should be carried out before using the equipment for the first time after longer period of storage.

## 9. ACRONYMS

<b>ASHC</b>	Air Supply Hose w/Connectors (not included with kit)
<b>BBRA</b>	Bore Brush Abrasive
<b>BBRN</b>	Bore Brush Nylon
<b>BBRS</b>	Bore Brush Stainless Steel
<b>BFS</b>	Brush Fastening Screw
<b>BRA</b>	Bore Rammer Assy
<b>BSA/BSF</b>	Brush Spacer
<b>CBC</b>	Control Box Complete
<b>CBRA</b>	Chamber Brush Abrasive
<b>CBRN</b>	Chamber Brush Nylon
<b>CBRS</b>	Chamber Brush Stainless Steel
<b>CBS</b>	Chamber Brush Screw Assy
<b>CBSH</b>	Control Box Supply Hose
<b>CCK</b>	Centering Cone
<b>CRA</b>	Chamber Rammer Assy
<b>FDA</b>	Foam Dispenser Assy
<b>FRL</b>	Filter Regulator Lubricator
<b>OCS</b>	Ordnance Cleaning System
<b>OIL</b>	Oil Dispenser Assy
<b>TKA</b>	Tool Kit Assy